

Arduino Projects For Dummies

By Brock Craft



Arduino Projects For Dummies By Brock Craft

Discover all the amazing things you can do with Arduino

Arduino is a programmable circuit board that is being used by everyone from scientists, programmers, and hardware hackers to artists, designers, hobbyists, and engineers in order to add interactivity to objects and projects and experiment with programming and electronics. This easy-to-understand book is an ideal place to start if you are interested in learning more about Arduino's vast capabilities. Featuring an array of cool projects, this Arduino beginner guide walks you through every step of each of the featured projects so that you can acquire a clear understanding of the different aspects of the Arduino board.

- Introduces Arduino basics to provide you with a solid foundation of understanding before you tackle your first project
- Features a variety of fun projects that show you how to do everything from automating your garden's watering system to constructing a keypad entry system, installing a tweeting cat flap, building a robot car, and much more
- Provides an easy, hands-on approach to learning more about electronics, programming, and interaction design for Makers of all ages

Arduino Projects For Dummies is your guide to turning everyday electronics and plain old projects into incredible innovations.

Get Connected! To find out more about Brock Craft and his recent Arduino creations, visit www.facebook.com/ArduinoProjectsForDummies

 [Download Arduino Projects For Dummies ...pdf](#)

 [Read Online Arduino Projects For Dummies ...pdf](#)

Arduino Projects For Dummies

By Brock Craft

Arduino Projects For Dummies By Brock Craft

Discover all the amazing things you can do with Arduino

Arduino is a programmable circuit board that is being used by everyone from scientists, programmers, and hardware hackers to artists, designers, hobbyists, and engineers in order to add interactivity to objects and projects and experiment with programming and electronics. This easy-to-understand book is an ideal place to start if you are interested in learning more about Arduino's vast capabilities. Featuring an array of cool projects, this Arduino beginner guide walks you through every step of each of the featured projects so that you can acquire a clear understanding of the different aspects of the Arduino board.

- Introduces Arduino basics to provide you with a solid foundation of understanding before you tackle your first project
- Features a variety of fun projects that show you how to do everything from automating your garden's watering system to constructing a keypad entry system, installing a tweeting cat flap, building a robot car, and much more
- Provides an easy, hands-on approach to learning more about electronics, programming, and interaction design for Makers of all ages

Arduino Projects For Dummies is your guide to turning everyday electronics and plain old projects into incredible innovations.

Get Connected! To find out more about Brock Craft and his recent Arduino creations, visit www.facebook.com/ArduinoProjectsForDummies

Arduino Projects For Dummies By Brock Craft Bibliography

- Sales Rank: #552697 in Books
- Brand: imusti
- Published on: 2013-06-24
- Original language: English
- Number of items: 1
- Dimensions: 9.30" h x .92" w x 7.40" l, 1.66 pounds
- Binding: Paperback
- 404 pages

 [Download Arduino Projects For Dummies ...pdf](#)

 [Read Online Arduino Projects For Dummies ...pdf](#)



Download and Read Free Online Arduino Projects For Dummies By Brock Craft

Editorial Review

Amazon.com Review

Q&A with Author Brock Craft



Brock Craft

How did you get started with Arduino?

I got started using Arduino because I wanted to be able to keep track of the temperature inside the house compared to the temperature outside. That way, I could see how the seasons and outside temperature fluctuations affect our energy use - and, of course, our energy bill! I needed a way to take readings of temperature sensors and send those to my computer. There are a lot of ways to do this, but at the time, I could see that Arduino would allow me to do so many more things. I got my hands on one as fast as possible and in the process met the Arduino team.

Why do you think Arduino has become so popular so quickly?

The main reason is that it is easy to use. It used to be pretty difficult for the average person to program and upload code to microcontrollers - and they were a lot more expensive! So even if you got the code working, if you then hooked it up wrong and fried it, you were out a lot of money. Arduino has some built in protection against this, and it is much easier to make connections to the microcontroller because of the way the board is laid out.

Any advice for someone who might be interested in Arduino, but isn't sure where to start?

Well, first of all I'd check out the Arduino website to get a good idea of what Arduino is all about and what it can do. Then, I'd grab a copy of *Arduino For Dummies*, by my friend John Nussey and try out some of the simple demos in the book. Once you've got that under your belt, you can take a crack at some of the projects in my book too.

What are some of the interesting things you can create with Arduino?

There are all kinds of cool things you can do, and I've tried to include a wide range of projects in my book

that demonstrate many of its capabilities. Since you can use an Arduino to read just about any kind of sensor data, the obvious thing to do is use it to detect changes in the environment, light temperature, light levels, and soil moisture. You can even detect sound levels and do motion detection, as well. You can also use it to control things like LEDs, motors, and just about anything you can turn on or off with a switch. The fun part is mixing these together - you can do mashups of sensors and things they control, like linking a pet door to Twitter.

What is your all-time favorite Arduino project that you've either worked on or heard about from someone else?

My favorite right now is called the "Immaterials Project" by Timo Arnall and his colleagues. It uses an Arduino to control a 12-foot pole that has a string of LEDs mounted on it. The Arduino lights up the LEDs sequentially, based upon the strength of nearby Wi-Fi network signals. They carry around the stick in city streets and photograph it with long-exposure photography. The effect is that you see a sort of bar chart laid over the street scene, showing how strong the network signal is. I like it because it reveals the invisible signals that we are walking around in all the time, but never really think about.

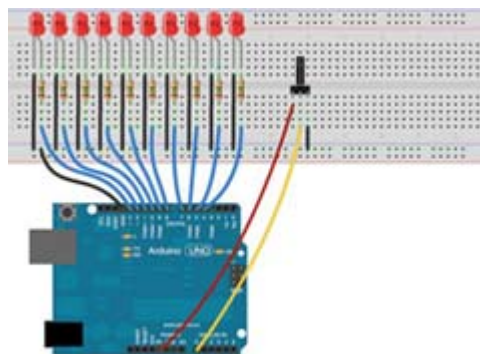
What is a good project for new Arduino users to start out with?

The usual project for beginners is called "Blink", which shows you how to flash an LED. Computer programming languages all have what's called a "Hello World" program where you get the code to do the most basic thing - display something on the computer screen. Since an Arduino doesn't have a screen, the equivalent is controlling an LED. Just about anyone can get started flashing an LED in a few minutes and then learn how to change how it flashes. From there, you just build up your knowledge and skills as the basic principles pretty much stay the same.

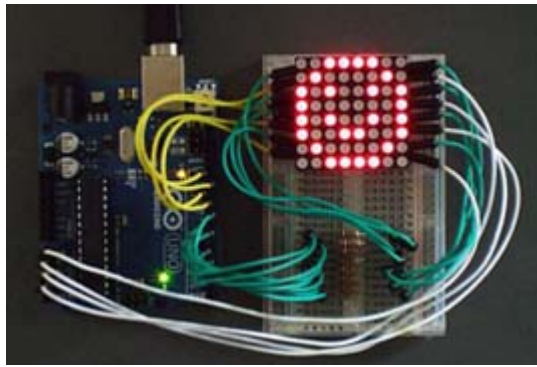
What should people expect when they open a copy of *Arduino Projects For Dummies*?

They will find a bunch of different projects that are about using the Arduino for doing clever things. There are easy projects you can build in a couple of hours and harder ones that might need a weekend or more to finish. And all of them can be extended to do more cool stuff that I didn't think of! I've explained how to build them in a straightforward way so that everything you need to know is in there, including what materials you need for the projects and where to get them. I've also tried to include lots of photos of building the projects - which you don't always get in other books or online. I hope anyone who gets the book will be inspired to make something even cooler than what is already covered in the book!

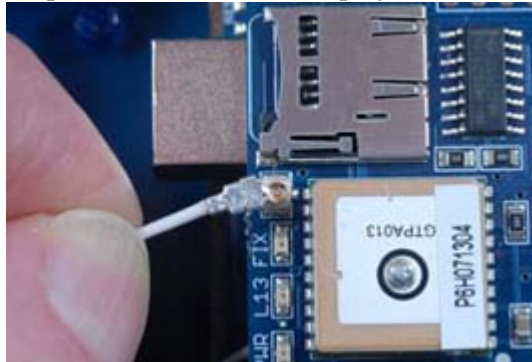
Bonus Content - Click Images to Enlarge



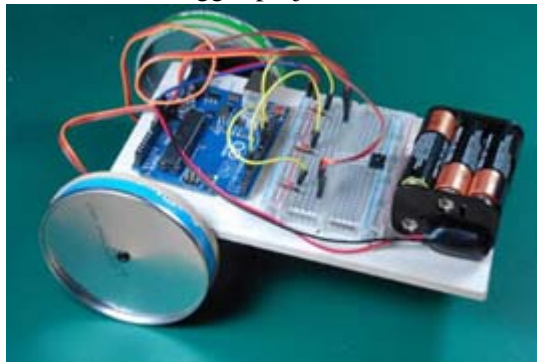
Each project in the book has an easy-to-follow layout diagram detailing how to hook everything up.



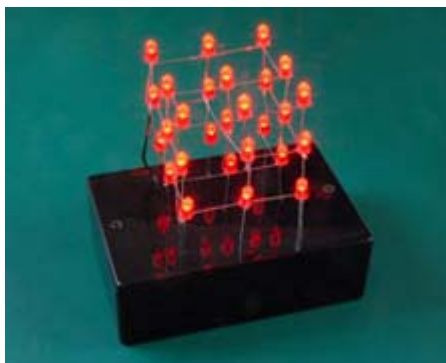
A pictures and a scrolling text marquee is one of the easiest projects for new users to build.



Here's a close up of the GPS tracker and data logger project from the book.



The best part about the remote-controlled car project, aside from the Pringles can wheels, is that you can control the car with any remote control you might have lying around the house.



You can build an LED cube that you can animate and even create your own patterns for fun. The book includes a programming tool that can be downloaded online, which makes it super easy to design your own animations.

From the Back Cover

Learn to:

- Set up a workspace for your projects
- Create projects with Arduino Uno
- Automate the home and garden, including a tweeting pet door
- Build a GPS data logger and an RFID reader

Discover how to use your Arduino to breathe life into everyday objects!

If you're ready to start exploring all the amazing things you can do with Arduino, you've come to the right place. Featuring 12 cool projects you'll build from scratch, this book is the fun, easy way to learn everything you need to know to create your very own original interactive objects and automated devices.

- Make space – set up your Arduino project workspace and outfit it with the right building supplies and tools
- Decode the code – get up to speed on Arduino programming and code writing basics, even if you've never programmed before
- Make it move – learn what components are available to make things tweet, spin, jump, and move about – and how to hook them up
- Light it up – create nifty projects from an intricate light ballet to a light pet, a scrolling LED sign, LCD alarm clock, and more
- Sensors and stuff – use sensors to build a plant watering system, tweeting pet door, and household temperature and light monitor
- Get sophisticated – build a GPS tracker and data logger, your own LED cubes, a remote control car, and other advanced projects

Open the book and find:

- Arduino programming advice
- Help building an Arduino alarm clock
- How to automate your garden's watering system
- Tips for constructing a keypad entry system
- Instructions for building an RFID reader
- Essential Arduino tools you should have on hand
- How to build a robot car from stuff you find around the house
- Ways to make anything remote controllable

About the Author

Brock Craft is a Lecturer in Physical Computing at Goldsmiths, University of London in the Department of Computing. He was a Partner at the design firm TinkerLondon, where he introduced the Arduino into the UK along with its creator, Massimo Banzi.

Users Review

From reader reviews:

Johanna Garrett:

This Arduino Projects For Dummies are generally reliable for you who want to be described as a successful

person, why. The reason of this Arduino Projects For Dummies can be on the list of great books you must have is definitely giving you more than just simple reading through food but feed anyone with information that might be will shock your before knowledge. This book is actually handy, you can bring it almost everywhere and whenever your conditions in e-book and printed versions. Beside that this Arduino Projects For Dummies forcing you to have an enormous of experience like rich vocabulary, giving you trial run of critical thinking that we know it useful in your day pastime. So , let's have it and luxuriate in reading.

Thomas Garrett:

You can spend your free time to learn this book this book. This Arduino Projects For Dummies is simple to develop you can read it in the recreation area, in the beach, train and soon. If you did not have much space to bring the particular printed book, you can buy the e-book. It is make you easier to read it. You can save often the book in your smart phone. And so there are a lot of benefits that you will get when one buys this book.

Homer Gardner:

This Arduino Projects For Dummies is new way for you who has attention to look for some information because it relief your hunger info. Getting deeper you on it getting knowledge more you know or you who still having bit of digest in reading this Arduino Projects For Dummies can be the light food to suit your needs because the information inside this particular book is easy to get through anyone. These books create itself in the form that is reachable by anyone, sure I mean in the e-book type. People who think that in e-book form make them feel drowsy even dizzy this e-book is the answer. So there is no in reading a publication especially this one. You can find actually looking for. It should be here for an individual. So , don't miss the item! Just read this e-book sort for your better life and knowledge.

Jacki Warner:

As a college student exactly feel bored to reading. If their teacher requested them to go to the library or make summary for some book, they are complained. Just minor students that has reading's spirit or real their leisure activity. They just do what the instructor want, like asked to go to the library. They go to at this time there but nothing reading very seriously. Any students feel that reading through is not important, boring and can't see colorful photos on there. Yeah, it is to become complicated. Book is very important for you personally. As we know that on this age, many ways to get whatever we would like. Likewise word says, ways to reach Chinese's country. Therefore this Arduino Projects For Dummies can make you really feel more interested to read.

Download and Read Online Arduino Projects For Dummies By Brock Craft #9RMJSF30TV8

Read Arduino Projects For Dummies By Brock Craft for online ebook

Arduino Projects For Dummies By Brock Craft Free PDF d0wnl0ad, audio books, books to read, good books to read, cheap books, good books, online books, books online, book reviews epub, read books online, books to read online, online library, greatbooks to read, PDF best books to read, top books to read Arduino Projects For Dummies By Brock Craft books to read online.

Online Arduino Projects For Dummies By Brock Craft ebook PDF download

Arduino Projects For Dummies By Brock Craft Doc

Arduino Projects For Dummies By Brock Craft Mobipocket

Arduino Projects For Dummies By Brock Craft EPub